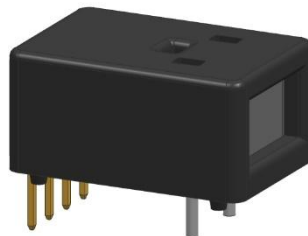


CURRENT SENSOR

PRODUCT SERIES: STK-HD/SG

PRODUCT SERIES: STK-15HD/SG

VERSION: Ver 1.0



Sinomags Technology Co., Ltd.

Web site: www.sinomags.com

CONTENT

1.	Description	2
2.	Electrical performance of STK-15HD/ SG	3
3.	Output voltage VS primary current of STK-HD/ SG	4
4.	Frequency band width	4
5.	Step response time	5
6.	Frequency delay performace	5
7.	Typical application circuits for STK-HD/SG	6
8.	Dimensions & Pins & Footprint	7

1. Description

STK-HD/SG current sensor is based on the open loop principle and TMR technology. DC, AC, pulses and any kind of irregularities wave can be measured by the current sensor under the isolated conditions.

Typical application

- AC Variable speed drives
- Servo driver
- Switched model power supplies (SMPS)
- Direct-current dynamo
- MPPT

General parameters

Parameter	Symbol	Unit	Value
Working temperature	T _A	°C	-40 ~ 105
Storage temperature	T _{stg}	°C	-40 ~ 105
Mass	m	g	3.3

Absolute parameters

Parameters	Symbol	Unit	Value
Supply voltage	V _C	V	6
ESD rating (HBM)	U _{ESD}	kV	4

Remark: the unrecoverable damage may occur when the product works on the conditions over the absolute maximum ratings. Long-time working on the absolute maximum ratings may cause the degradation on performance and reliability.

Isolation parameters

Parameter	Symbol	Unit	Value	Remark
RMS voltage for AC test 50Hz/1 min	U _d	kV	4	
Impulse withstand voltage 1.2/50μs	Ū _w	kV	6	
Case material			V0 according to UL 94	
Comparative tracking index	CTI	V	600	

2. Electrical performance of STK-15HD/ SG

Parameter	Symbol	Unit	Min	Typ	Max	Comment
Primary nominal current rms	I _{pn}	A		15		
Supply voltage	V _{cc}	V	4.75	5	5.25	
Current consumption	I _{cc}	mA		5	10	
Reference voltage	V _{ref}	V	0.47	0.5	0.53	Output function
Quiescent voltage V _{out} @ 0 A	V _{off}	V	0.47	0.5	0.53	
Electrical offset voltage (V _{out} – V _{ref}) @ 0 A	V _{oe}	mV	-8		8	
Rated output voltage ((V _{out} – V _{ref})@I _{pn}) – V _{oe}	V _{FS}	V		3.75		
Internal output resistance	R _{out}	Ω		1		
Internal reference resistance	R _{ref}	Ω		1		
Theoretical gain	G	mV/A		250		
Rated linearity error	Non-L	%I _{pn}		0.5		Within ±I _{pn}
Step response time	t _{res}	μs		0.4		@ 90% of I _{pn}
Frequency bandwidth (-3dB)	BW	kHz		600		No RC circuit
Output voltage noise DC ~ 10 kHz DC ~ 100 kHz	V _{noise}	mV _{pp}		1 4		@250kHz Sampling Rate
Accuracy @ 25°C	X	% of I _{pn}	-0.8		0.8	@ 25°C
Accuracy @ -40°C~105°C	X _{TRange}	% of I _{pn}	-1.5		1.5	-40°C ~ 105°C

Remarks:

- the accuracy @ -40°C~105°C, X_{TRange} = (((V_{out} – V_{ref})@ I_n @ T_x) – V_{oe}@ 25°C – G_{th} * I_n) / V_{FS}, where T_x represents present temperature, G_{th} is fitted gain at room temperature.

3. Output voltage VS primary current of STK-HD/ SG

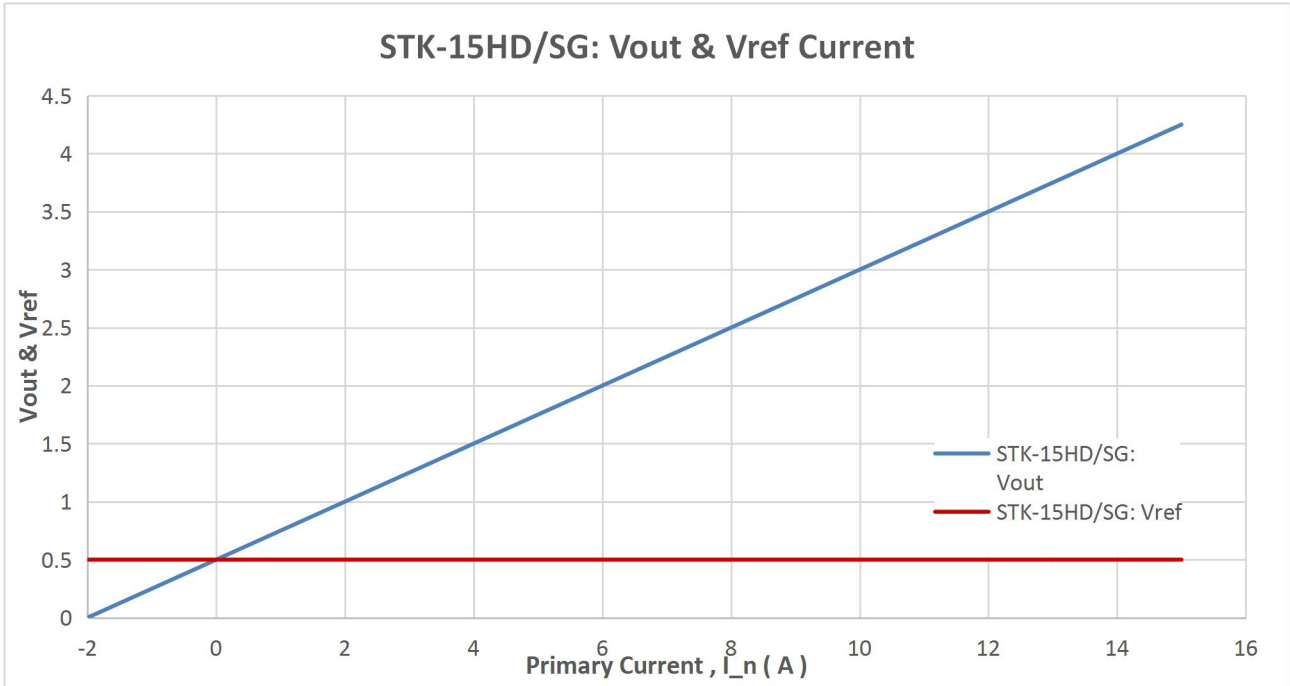


Fig.1 The dependence of Vout&Vref of STK-15HD/SG on the primary current.

4. Frequency band width

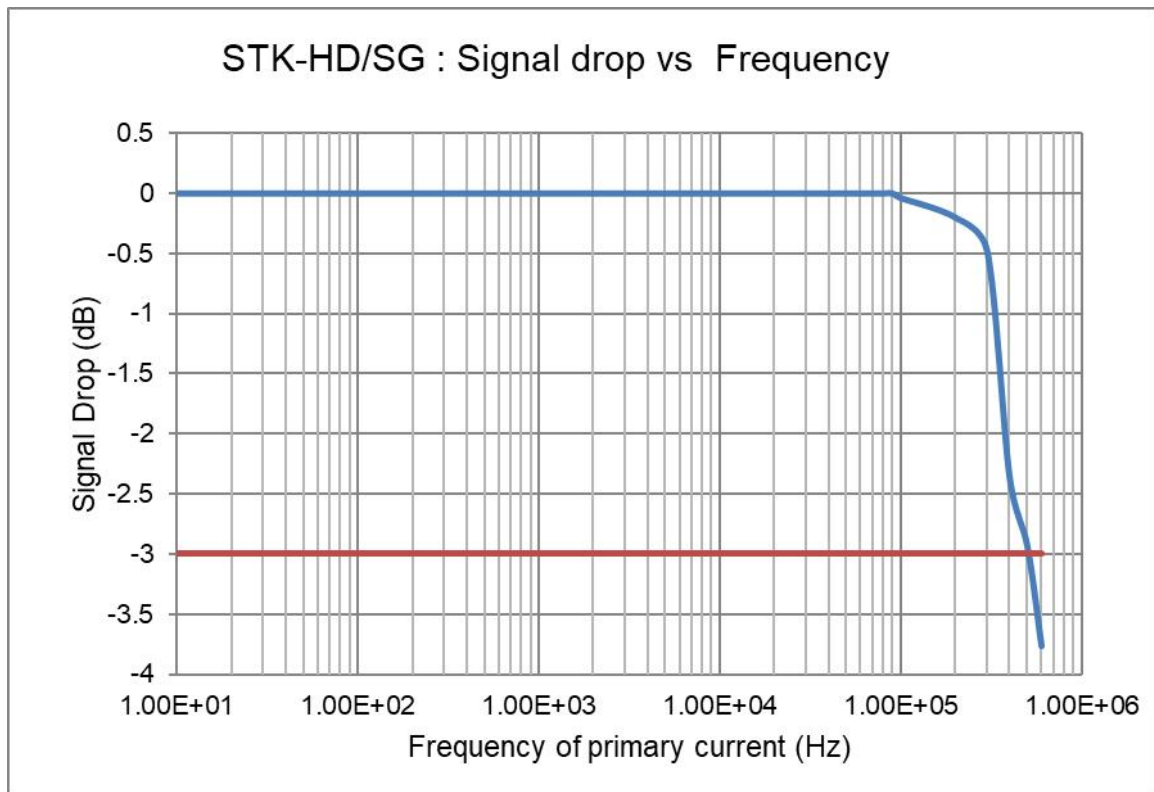


Fig.2 the frequency band width of STK-HD/SG series current sensors.

5. Step response time

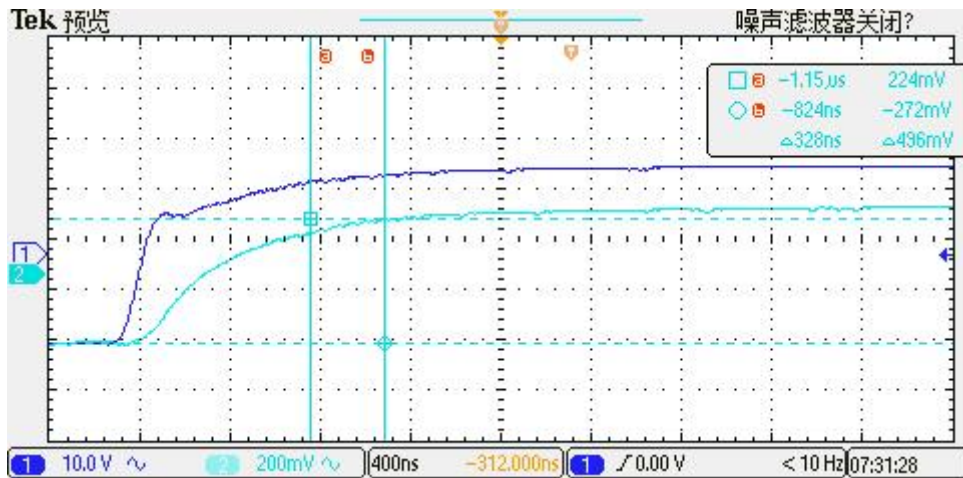


Fig.3 the step response time of STK-HD/SG current sensors. The light blue is primary current, while the dark blue is output signal of current sensor. The step response time is less than 0.4 μs.

6. Frequency delay performance

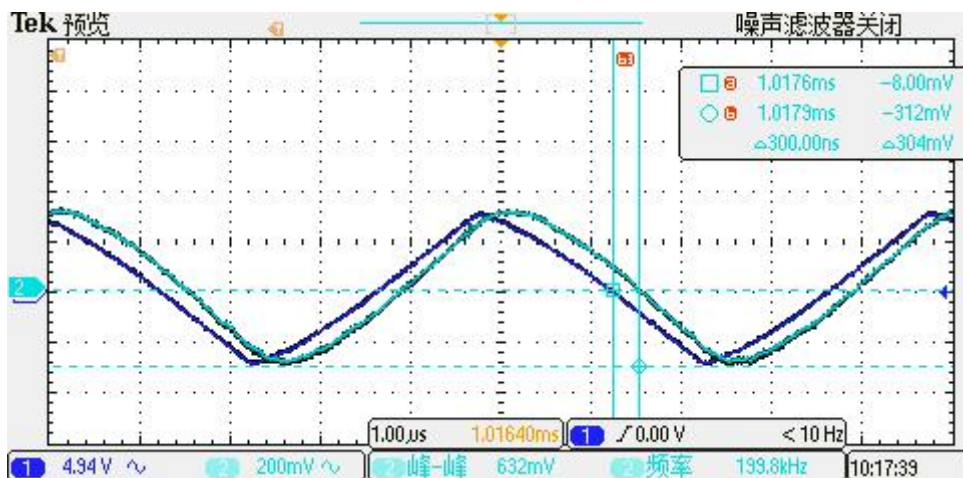


Fig.4 when detection the primary current with a frequency of 200 kHz. The typical results of the output of STK-HD/SG current sensor on the primary current delay characteristics. The response time is 0.3 μs.

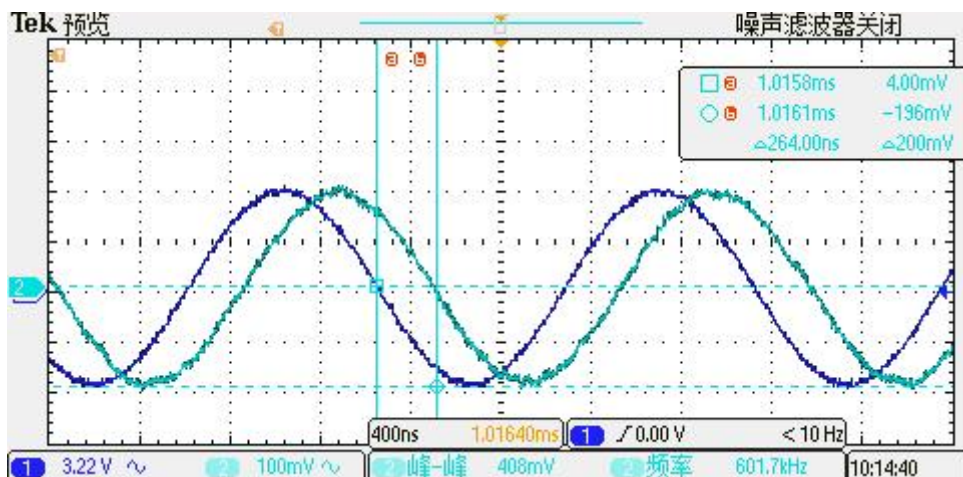
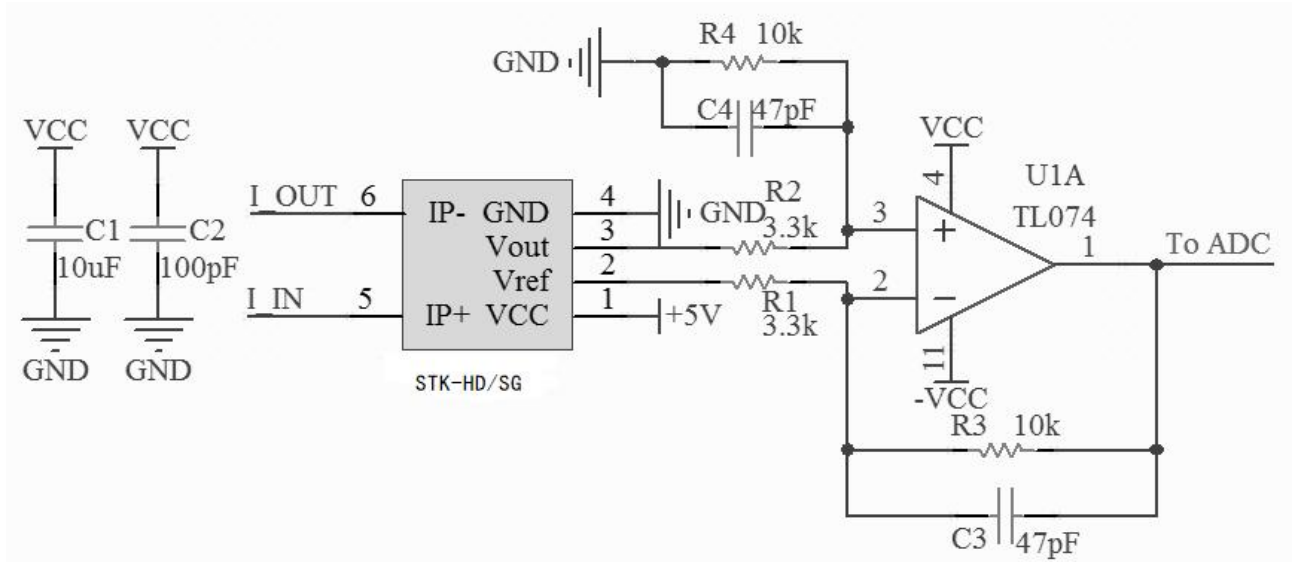


Fig.5 when detection the primary current with a frequency of 600 kHz. The typical results of the output of STK-HD/SG current sensor on the primary current delay characteristics. The Sine wave response time is 0.264 μ s.

7. Typical application circuits for STK-HD/SG

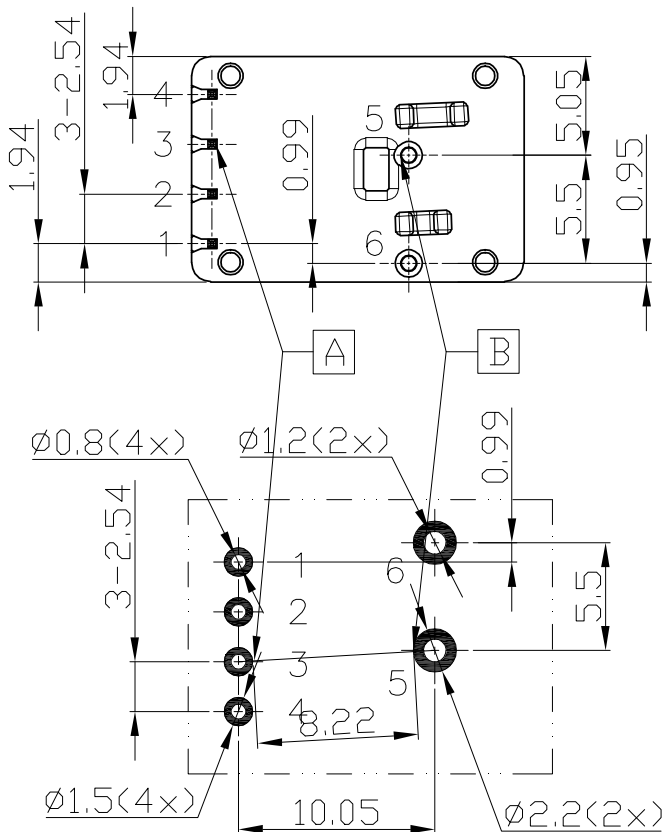
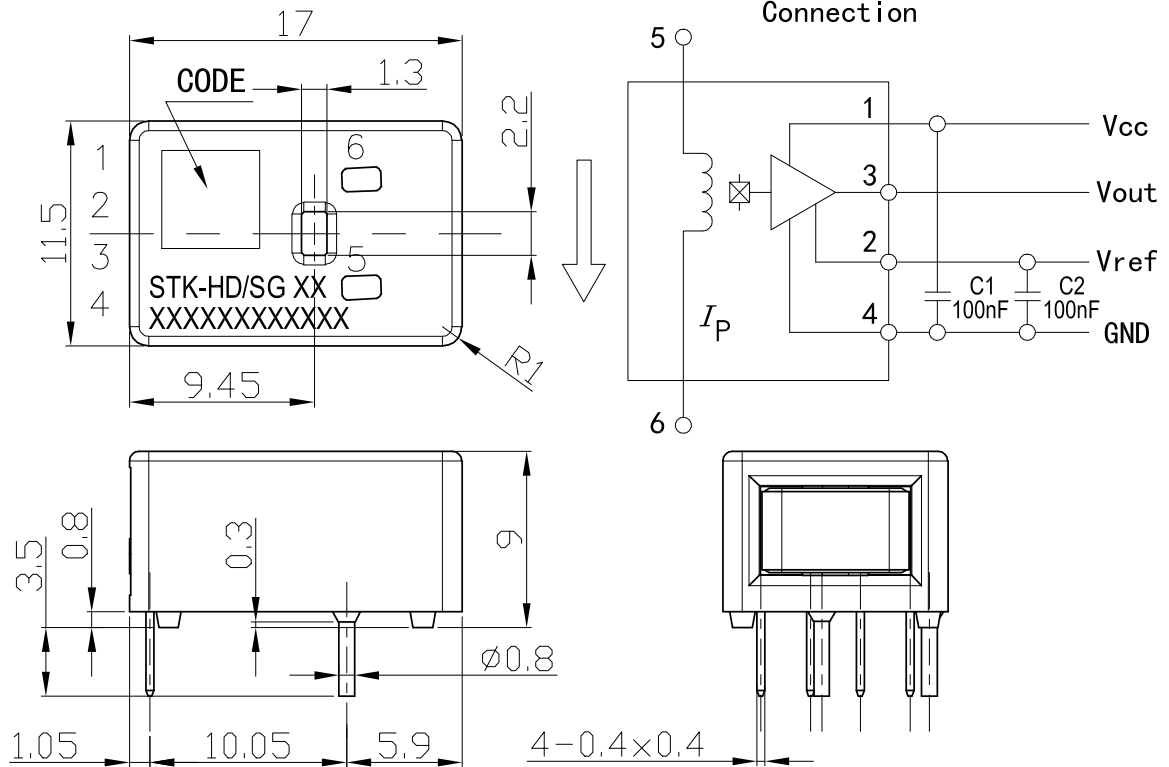


Typical application circuits for STK-HD/SG current sensor. The magnification can be estimated as $M = R4/R2$ with the condition of $R1 = R2$, and $R3 = R4$. The magnification in the above circuit is about 3.

$R3$ (kohm) = $R4$ (kohm)	$C3$ (pF) = $C4$ (pF)	Theoretical -3dB $f = 1/(2\pi RC)$ (kHz)	Tested -3dB (kHz)
27	10	590	~600
51	30	104	~100
51	300	10	~10

The frequency characteristics of STK-HD/SG series current sensor are not affected by the R-C setting (according to recommended R-C setting), therefore the active filter circuit or R-C circuit can be applied to modulate the sensor's frequency characteristics.

8. Dimensions & Pins & Footprint



Sensor		
	d_{C1}	d_{Cp}
A-B	9.45mm	9.65mm

On the customer's PCBA		
	d_{C1}	d_{Cp}
A-B	8.22mm	8.22mm

Terminals

1.	Vcc	4.	GND
2.	Vref	5.	Ip+
3.	Vout	6.	Ip-

Material : Fit UL94V-0 & RoHS requirements ;

General tolerance : ± 0.5

Unit : mm

